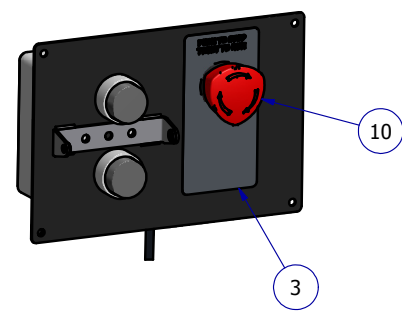
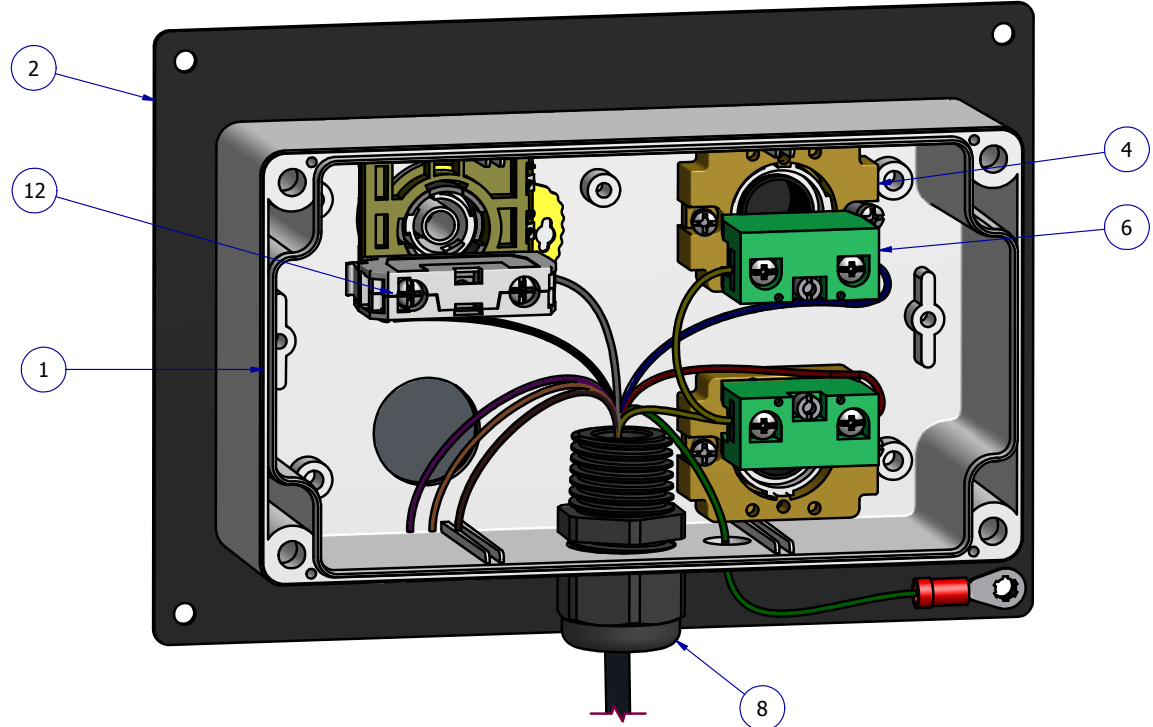


4 | 3 | 2 | 1

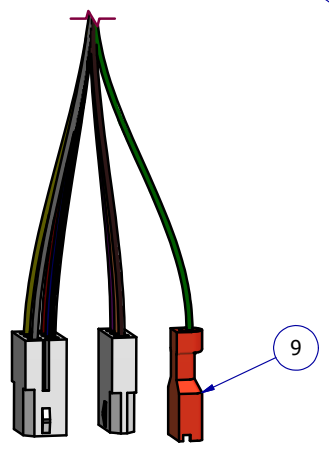
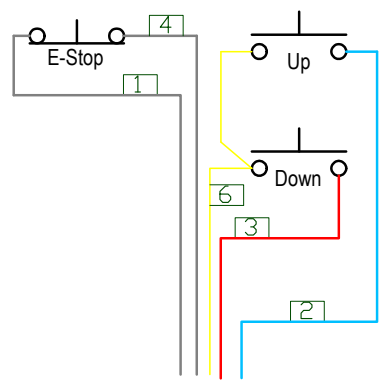
REVISION HISTORY				
REV	ECN	DESCRIPTION	BY	DATE
A	V126	RELEASE	JB	4/27/2010
B		45122 WAS MIS-LABELED AS 45093	JB	6/10/2010



PARTS LIST			
ITEM	QTY	PART #	DESCRIPTION
1	1	45122	ENCLOSURE, CPL PFM CONTROL, ETL
2	1	47311	WLDT, CPL PFM CONTROL PLATE, ETL
3	1	46070	Label, TWIST E-Stop
4	2	2AP3	Push Button, Altech
6	2	S1	Switch Contact, N.O., Altech
8	1	3231	Heyco Cord Grip LLFT 1/2" NPT
9	1	44040	HRNS, PLATFORM CONTROL, CPL
10	1	L22EM10	E-STOP SWITCH, BACO (RED)
11	1	333E	BACO BLOCK HOLDER CLIP, 3-POS
12	1	33E01	SWITCH CONTACT, N.O., BACO

NOTES:
 - ENCLOSURE LID AND FASTENERS NOT SHOWN.
 - BROWN, ORANGE AND PURPLE WIRES FOR USE WITH OPTIONAL EQUIPMENT ON ASSY LINE.

WIRE HARNESS CONNECTION



DRAWN brock	4/26/2010
CHECKED	
This document is the property of Harmar Summit, LLC and is delivered upon the express condition that the contents will not be disclosed or used without the written consent of Harmar Summit, LLC.	
THIRD ANGLE PROJECTION	Tolerance UNO .X ±.1 .XX ±.01 .XXX ±.005 Holes ±.005 Ang ±.5°

Summit Harmar Summit, LLC
 18505 E. 163rd St.
 Lake Winnebago, MO 64034
 816-537-0611

TITLE
ASSY, CPL PFM CONTROL, ETL

SIZE B	FINISH	DWG NO 49310	REV B
SCALE 1 : 1	SHEET 1 OF 1		

4 | 3 | 2 | 1