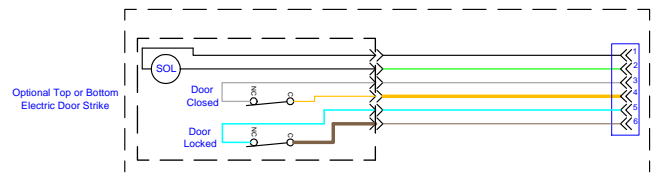
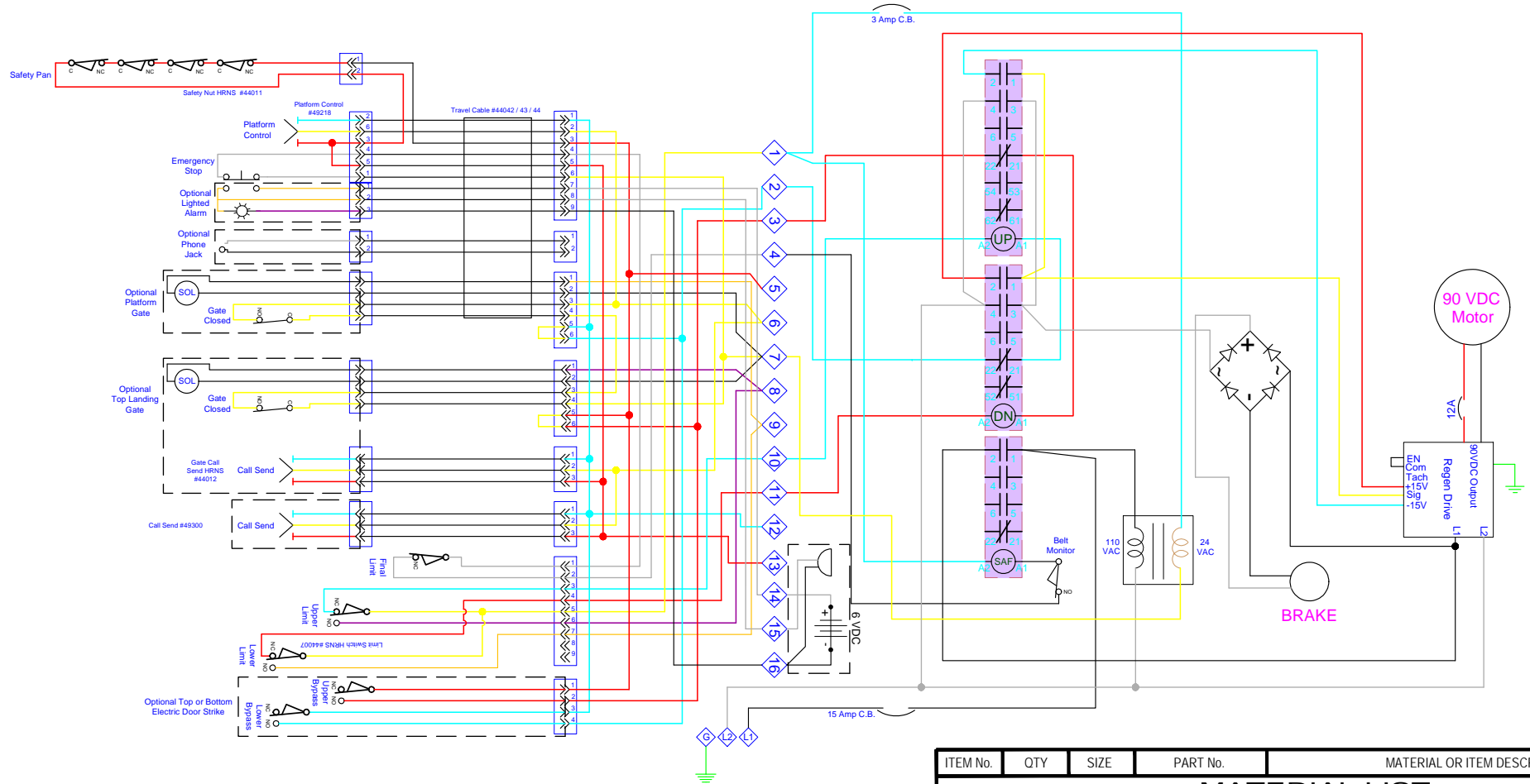



REV.	E.C.N.	REVISION DESCRIPTION	BY	DATE
B		Seperated Brake circuit	DF	3/23/10
C		Changed interlock hrs colors to match strikes	DF	6/23/10



ITEM No.	QTY	SIZE	PART No.	MATERIAL OR ITEM DESCRIPTION
MATERIAL LIST				
TOLERANCE UNLESS NOTED		 SUMMIT LIFTS, INC. Taking you to new heights 18505 E. 163rd St., Lake Winnebago, MO 64034 Phone: 816-537-0661 Fax: 816-537-0641		
.X ±.06				
.XX ±.03				
.XXX ±.010				
HOLES ±.005				
ANGLES ±1°		PRODUCT: HIGHLANDER TITLE: Schematic, CPL AC, REGEN DRIVE DRAWN: DF SCALE: DATE: 02/10/10 SIZE: B CHECKED BY: DF LAST PLOT: 23-Mar-10 REVISION: C CAD FILE NAME: 44231 CHECK DATE: This drawing is furnished only for informational purposes on a confidential basis, and neither the drawing or items thereon are to be reproduced or used in any manner not authorized. APP. BY: 23-Mar-10 APP. DATE:		