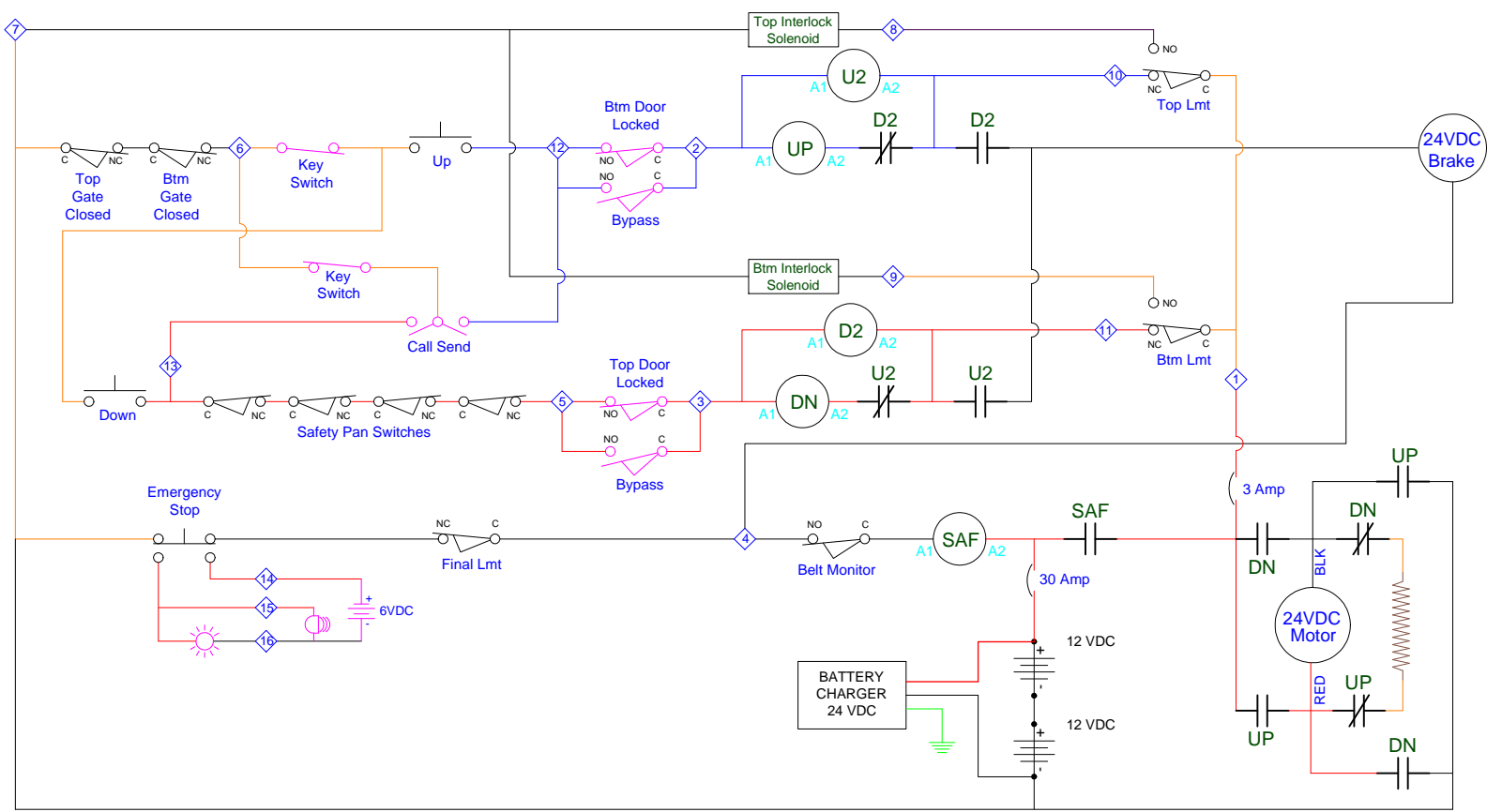


REVISION HISTORY				
REV	ECN	DESCRIPTION	BY	DATE
B		FOR LIFTS SHIPPED AFTER 4/01/10	JB	12/5/2009



Legend:

- Terminal Strip Connection
- Switch - N.C.
- Switch - N.O. held closed
- Push Button
- Contact - N.O.
- Contact - N.C.
- Circuit Breaker
- Optional Equipment

DRAWN	12/4/2009		Harmar Summit, LLC 18505 E. 163rd St. Lake Winnebago, MO 64034 816-537-0611	
CHECKED			TITLE WIRING DIAGRAM, CPL DC	
This document is the property of Harmar Summit, LLC and is delivered upon the express condition that the contents will not be disclosed or used without the written consent of Harmar Summit, LLC.				
THIRD ANGLE PROJECTION		Tolerance UNO X ±.1 .XX ±.01 .XXX ±.005 Holes ±.005 Ang ±.5°	SIZE C	DWG NO 44141 WD
SCALE			REV	B
			SHEET 1 OF 1	