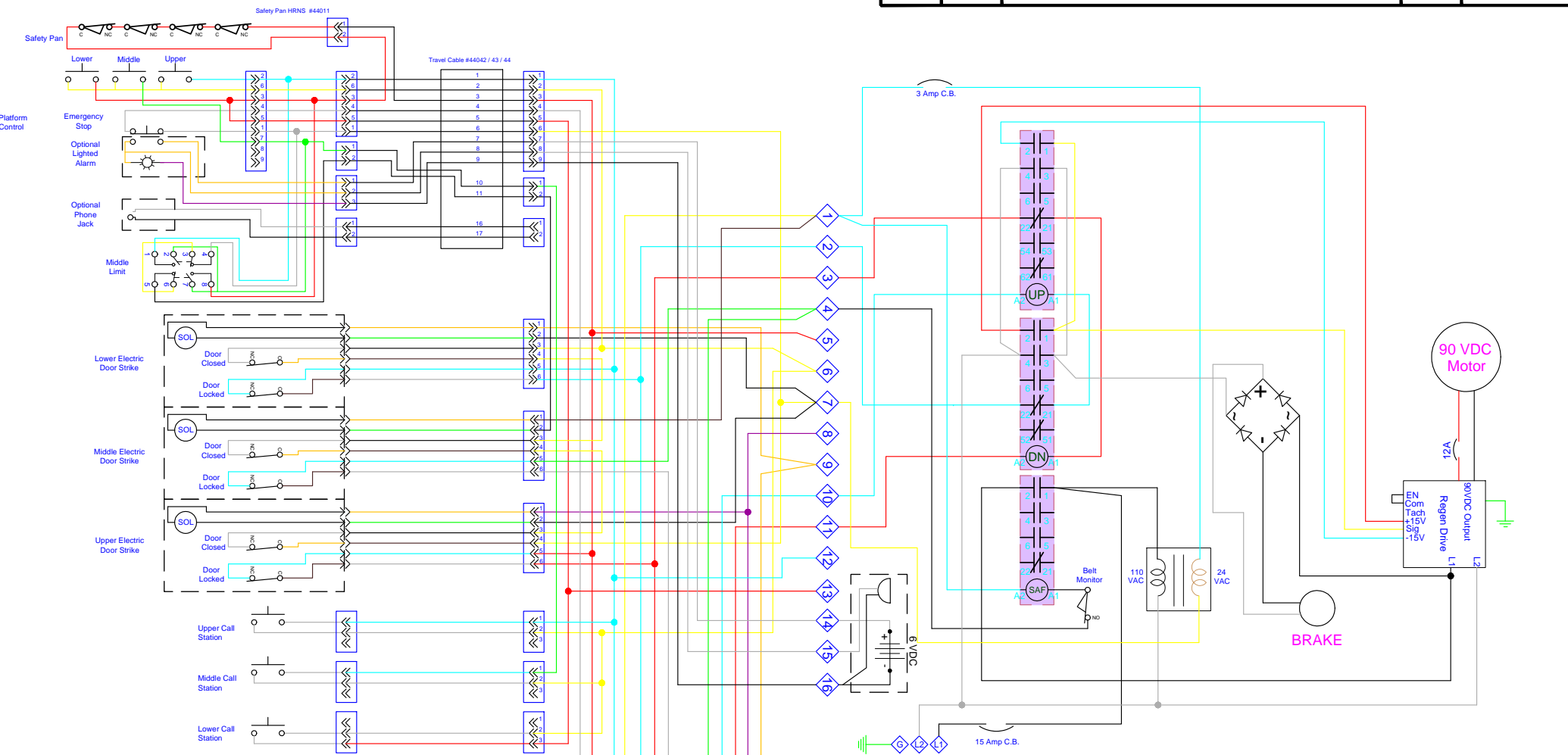



REV.	E.C.N.	REVISION DESCRIPTION	BY	DATE
------	--------	----------------------	----	------



ITEM No.	QTY	SIZE	PART No.	MATERIAL OR ITEM DESCRIPTION
MATERIAL LIST				
TOLERANCE UNLESS NOTED		 SUMMIT LIFTS, INC. Taking you to new heights 18505 E. 163rd St., Lake Winnebago, MO 64034 Phone: 816-537-0661 Fax: 816-537-0641		
.X ±.06				
.XX ±.03				
.XXX ±.010				
HOLES ±.005				
ANGLES ±1°		PRODUCT: HIGHLANDER TITLE: Schematic, CPL AC, 3-STOP		
DRAWN: DF		SCALE:	DATE: 05/10/10	SIZE: B
CHECKED BY:		LAST PLOT: 14-May-10		REVISION: A
CHECK DATE:		CAD FILE NAME: 44331		
APP. BY:		This drawing is furnished only for informational purposes on a confidential basis, and neither the drawing or items thereon are to be reproduced or used in any manner not authorized.		
APP. DATE:				