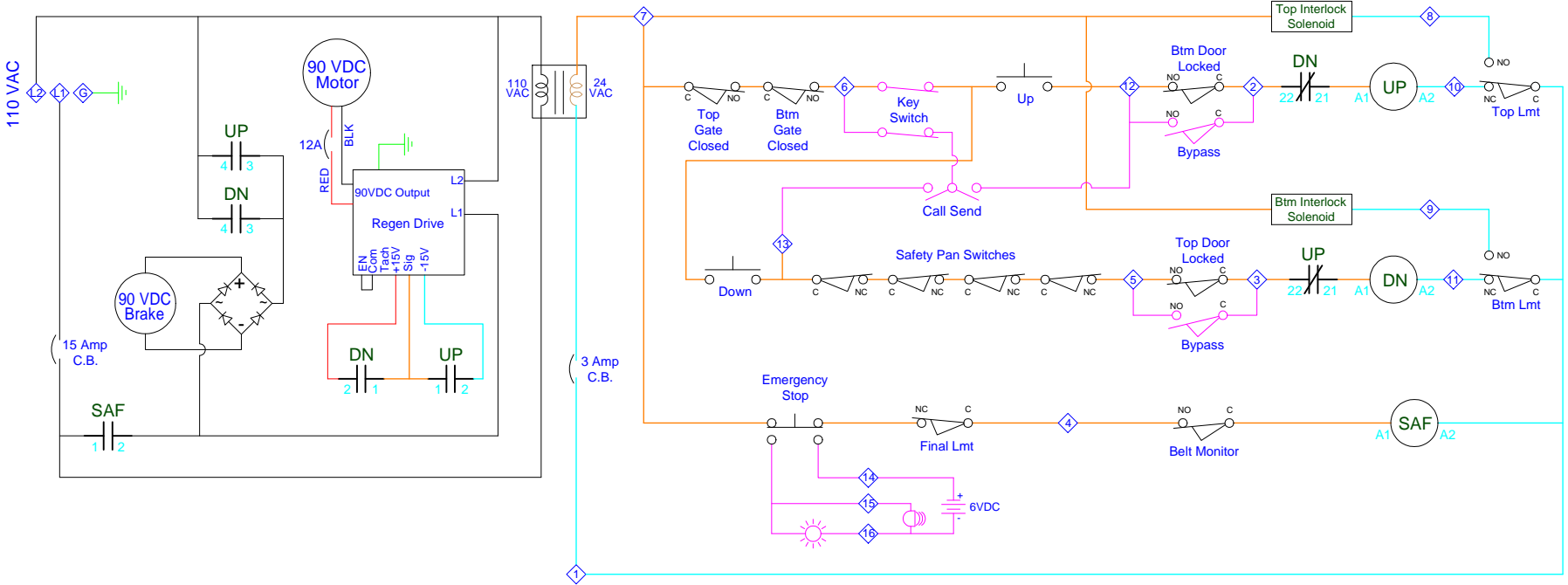


REVISION HISTORY				
REV	ECN	DESCRIPTION	BY	DATE
1		RELEASE REGEN DRIVE	JB	2/10/2010
B		ADD BRIDGE TO BRAKE CIRCUIT	JB	3/26/2010



- Legend:**
- Terminal Strip Connection
 - Switch - N.C.
 - Switch - N.O. held closed
 - Push Button
 - Contact - N.O.
 - Contact - N.C.
 - Circuit Breaker
 - Optional Equipment

DRAWN JB	2/10/2010		Harmar Summit, LLC 18505 E. 163rd St. Lake Winnebago, MO 64034 816-537-0611			
CHECKED			TITLE WIRING DIAGRAM, CPL AC, REGEN			
This document is the property of Harmar Summit, LLC and is delivered upon the express condition that the contents will not be disclosed or used without the written consent of Harmar Summit, LLC.		THIRD ANGLE PROJECTION 	Tolerance UNO X ±.1 .XX ±.01 .XXX ±.005 Holes ±.005 Ang ±.5°	SIZE FINISH C	DWG NO 44231 WD	REV B
		SCALE	SHEET 1 OF 1			