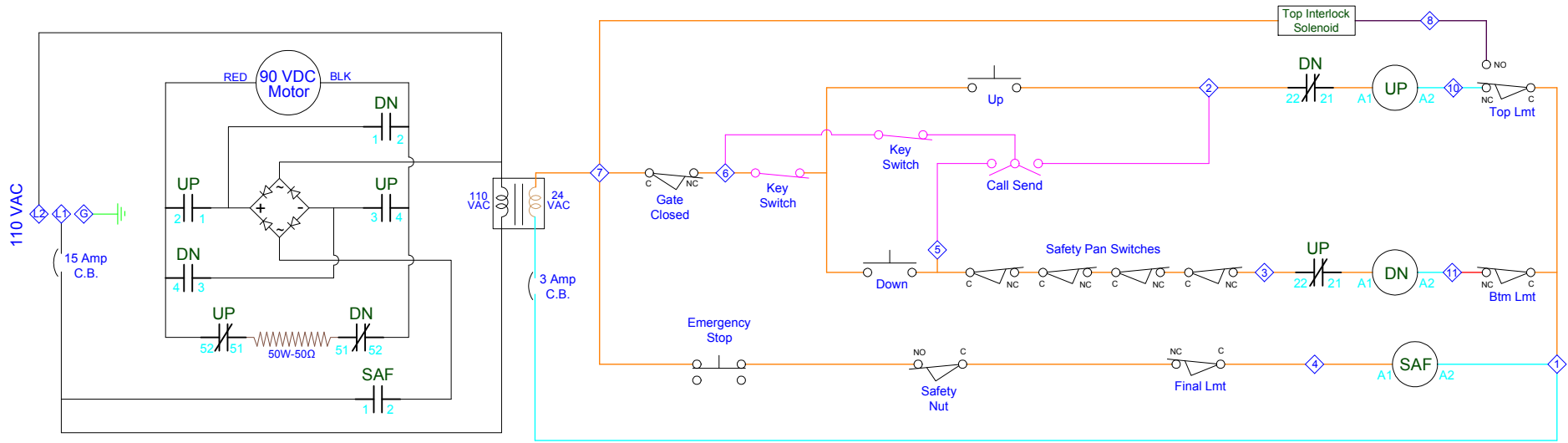


REVISION HISTORY				
REV	ECN	DESCRIPTION	BY	DATE
B		FOR LIFTS SHIPPED AFTER 4-14-10	JB	12/5/2009



- Legend:**
- Terminal Strip Connection
 - Switch - N.C.
 - Switch - N.O. held closed
 - Push Button
 - Contact - N.O.
 - Contact - N.C.
 - Circuit Breaker
 - Optional Equipment

DRAWN JB	12/5/2009		Harmar Summit, LLC 18505 E. 163rd St. Lake Winnebago, MO 64034 816-537-0611	
CHECKED			TITLE WIRING DIAGRAM, RPL AC	
This document is the property of Harmar Summit, LLC and is delivered upon the express condition that the contents will not be disclosed or used without the written consent of Harmar Summit, LLC.		THIRD ANGLE PROJECTION 		
Tolerance UNO X ±.1 .XX ±.01 .XXX ±.005 Holes ±.005 Ang ±.5°		SIZE C	FINISH DWG NO 44111 WD	REV B
SCALE		SHEET 1 OF 1		